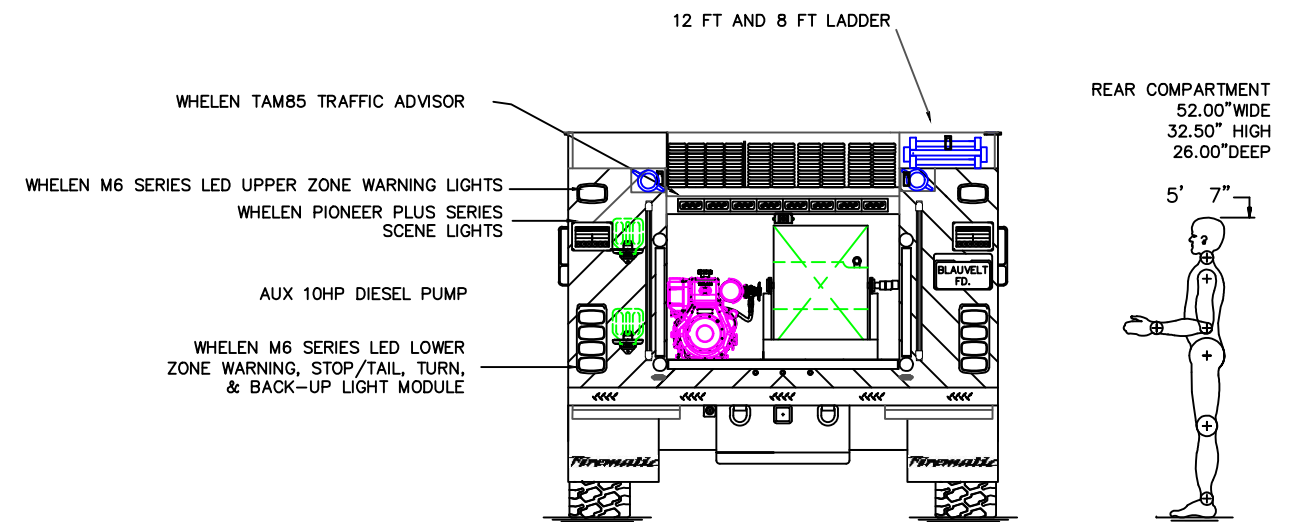
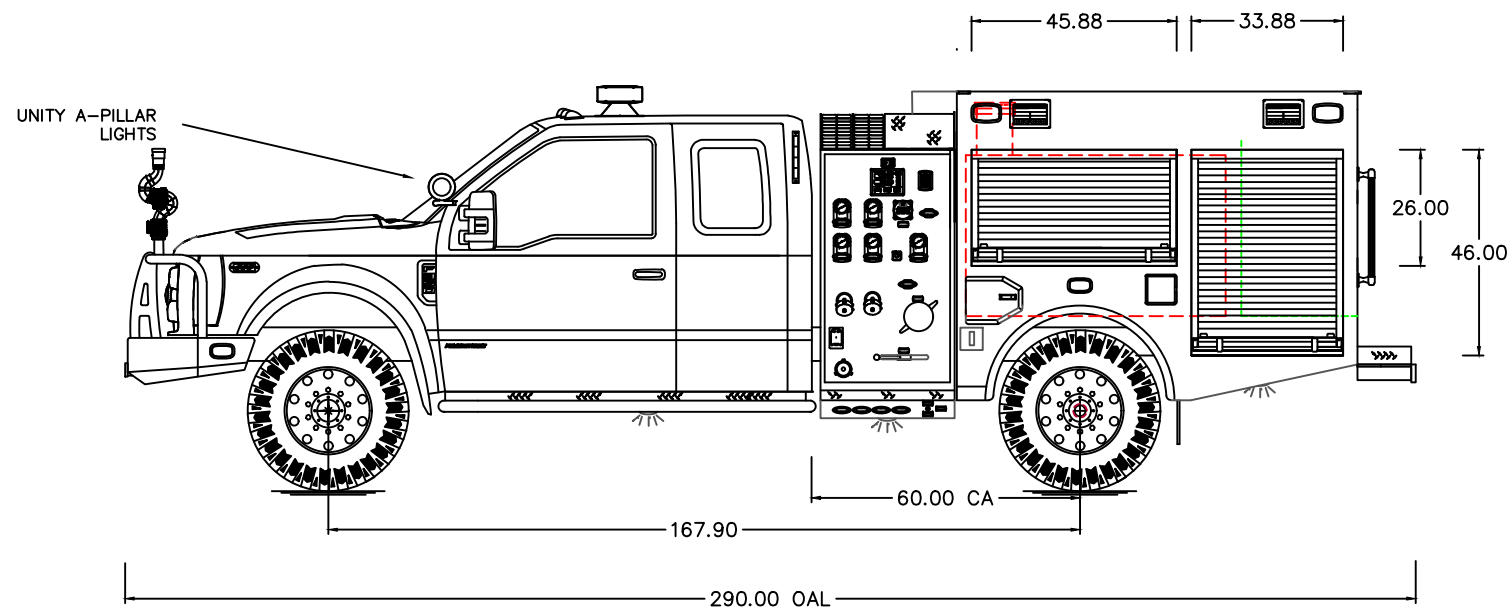


OVER THE WHEEL COMPTS. - 16.5 CU/FT  
 REAR COMPTS. - 24 CU/FT  
 REAR FACING COMPT. - 26 CU/FT



**NOTE**  
 THIS DRAWING IS CONCEPTUAL AND IS NOT AN EXACT REPRESENTATION OF THE TRUCK DRAWN. DIMENSIONS SHOWN ARE APPROXIMATE AND ARE SUBJECT TO DEVIATION AS MAY OCCUR OR BE NECESSARY DURING CONSTRUCTION.  
 SOME DETAILS NOT SHOWN.

300 POLY TANK  
 DARLEY 1250 GPM PSM MIDSHIP PUMP  
 ALUMINUM COMPARTMENT BODY

**Firematic MANUFACTURING**

TITLE **F-550 4X4 RESCUE BRAT**  
 FOR **BLAUVELT FIRE DEPT.  
 BLAUVELT, NEW YORK**

JOB NO.	2168
DATE	JUNE 14, 2019
CHASSIS DATA	FORD F-550 SUPER CAB
DRAWN BY	D. HORTON
APPROVED BY	D. HORTON
SHEET NO.	1 / 1